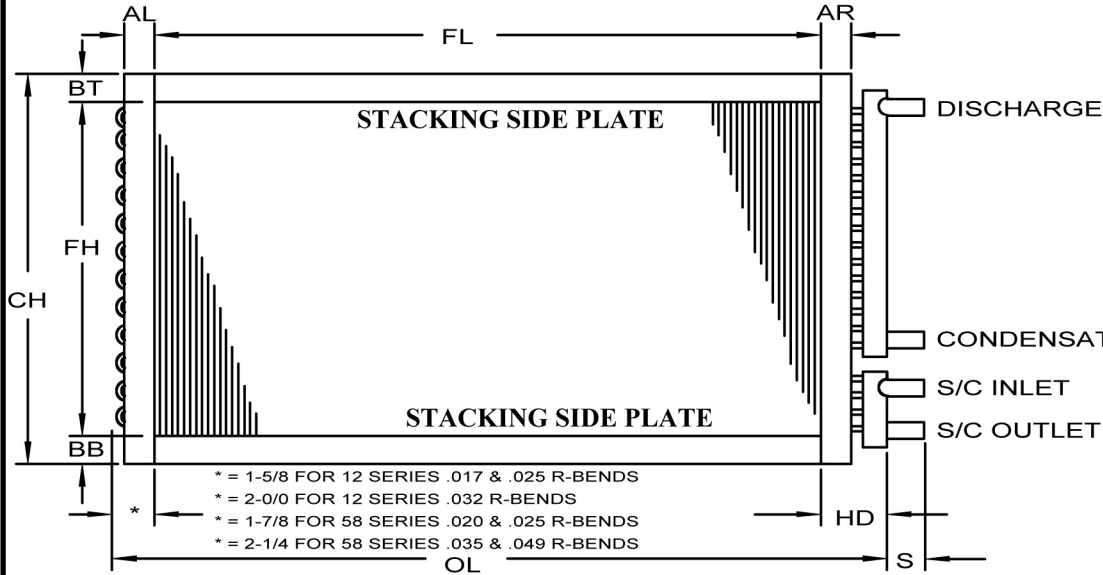
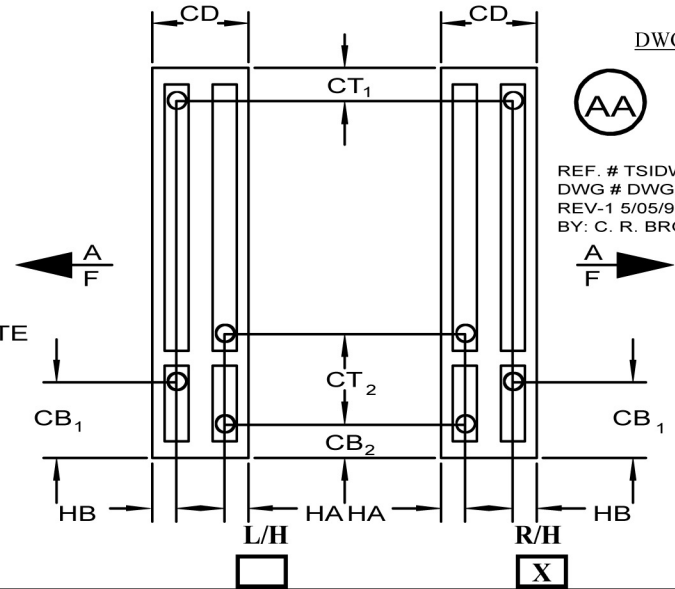


REPLACEMENT COIL DATA SHEET

(AIR COOLED CONDENSER COILS)
 SAME END CONNECTIONS
 WITH LIQUID SUBCOOLING



- * = 1-5/8 FOR 12 SERIES .017 & .025 R-BENDS
- * = 2-0/0 FOR 12 SERIES .032 R-BENDS
- * = 1-7/8 FOR 58 SERIES .020 & .025 R-BENDS
- * = 2-1/4 FOR 58 SERIES .035 & .049 R-BENDS



DWG REF NO
 20



REF. # TSIDWG19.DWG
 DWG # DWG20.DWG
 REV-1 5/05/97
 BY: C. R. BROONER

RD FPI FH FL AL AR BT BB CH OL CD S HA HB CT CB HD

FIN = CORR
 FIN MATL = ALUM
 FIN THICKNESS = .008

CONNECTION MATL = COPPER
 SUPPLY CONNECTION =
 SUPPLY HDR. DIA. =
 RETURN CONNECTION =
 RETURN HDR. DIA. =
 CONNECTION TYPE = ODS

CASING GAGE = TS:16 SP:16
 CASING MATL. = GALV

HAND = R
 ITEM NO =
 COIL CIRCUITING =

TUBE TYPE = 5/8
 TUBE THICKNESS = .020

DATE: SALES PERSON: Ed Yamasaki

NOTES: